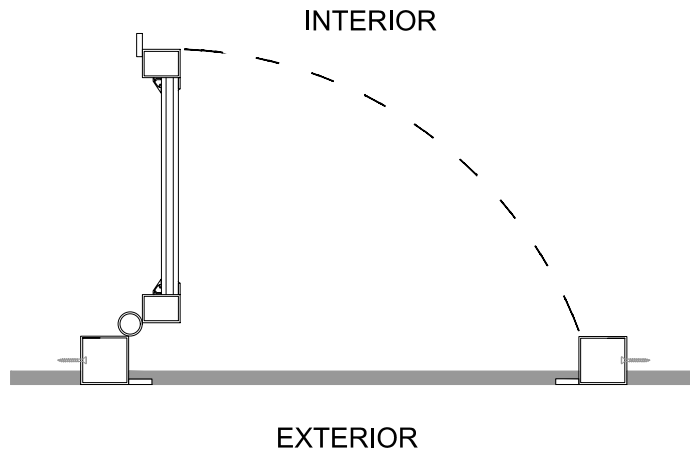
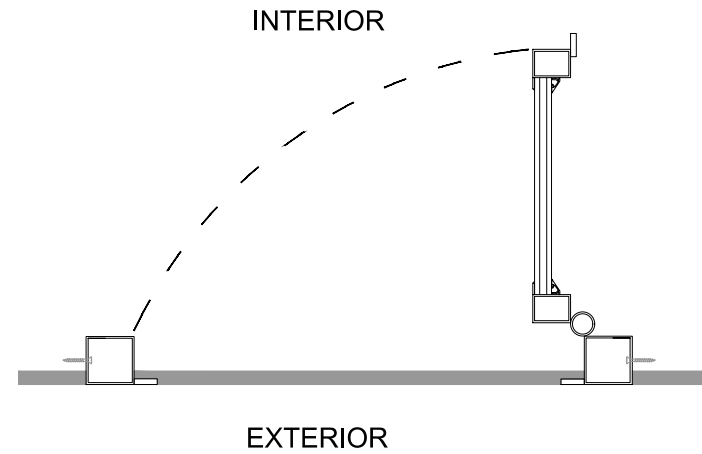


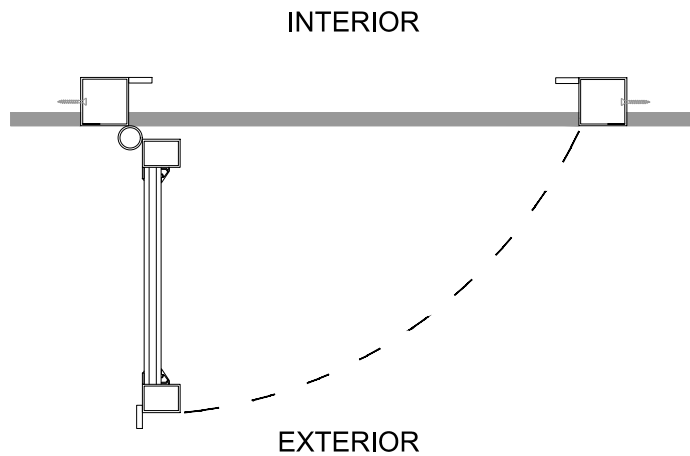
LEFT HAND INSWING



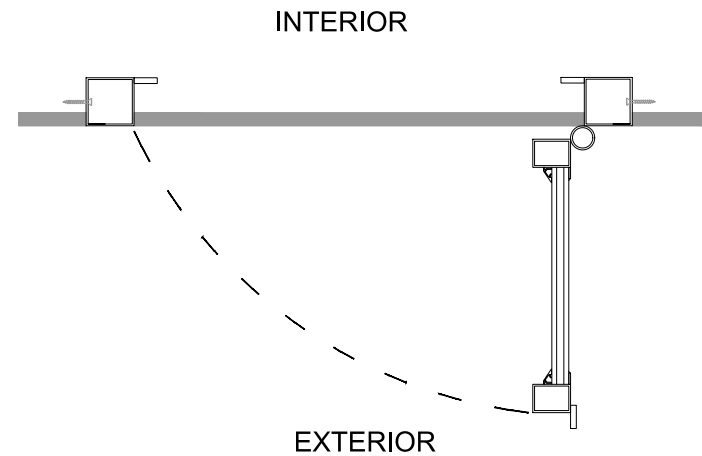
RIGHT HAND INSWING



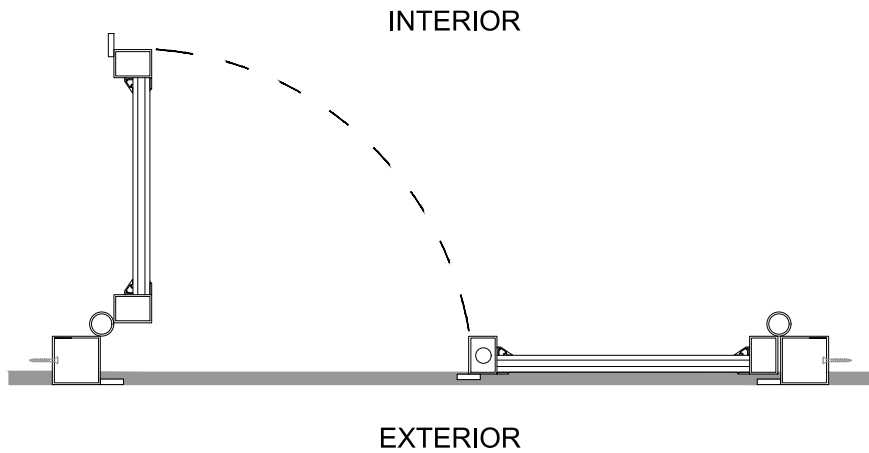
LEFT HAND OUTSWING



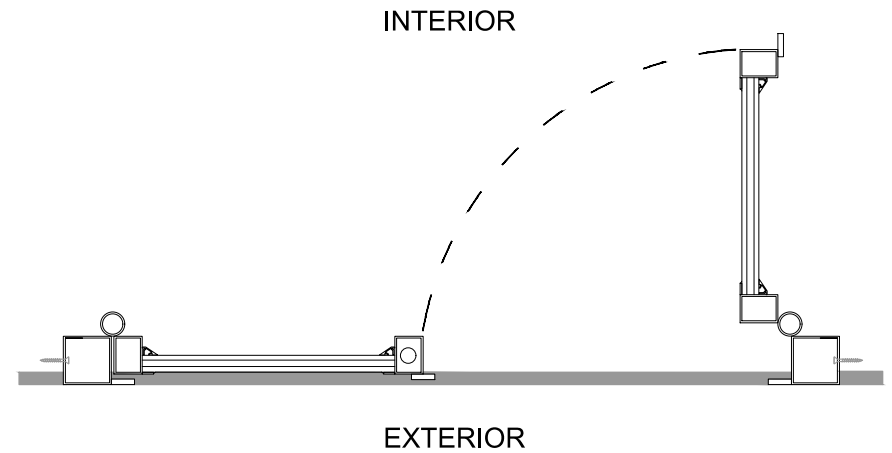
RIGHT HAND OUTSWING



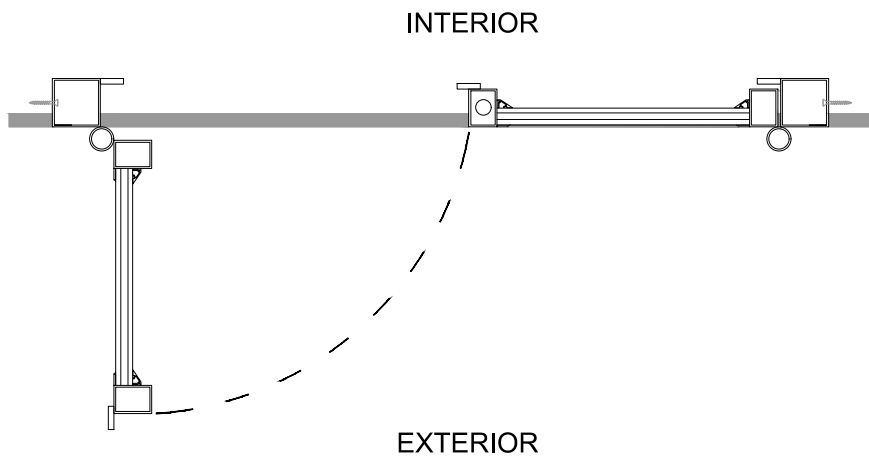
LEFT HAND ACTIVE INSWING



RIGHT HAND ACTIVE INSWING



LEFT HAND ACTIVE OUTSWING



RIGHT HAND ACTIVE OUTSWING

